



KABA[®]

Shop Floor Data Collection at the Workstation – B-Net 95 20

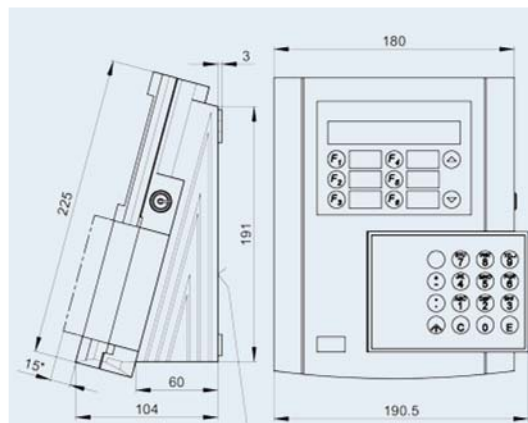
With its functionality, great user-friendliness, and appealing design, the B-Net 95 20 is the ideal device for your entry-level start into production data collection. Its price-performance ratio makes its use as a workstation terminal an attractive option as well.

B-Net 95 20 – The Features

- Graphic, transfective LCD display with a resolution of 240 x 40 pixels for the display of information.
- Six function keys are available for data input.
- The insertable labels can be custom-labeled and exchanged according to individual consumers' needs.
- Reader keyboard for alphanumeric data input.
- Plausibility checks avoid erroneous bookings (e.g. checking if the machine number is within a specified range).
- Mailbox function to provide employees with one-time information.
- Easy adaptation to collection processes through parameter setting.
- Storage of over 200 master records and 4,000 booking records.
- Contact-free data collection via LEGIC reader. Other readers such as inductive, mag-stripe, Mifare, Hitag, HID, etc. are also available.
- A second reader (e.g. a CCD scanner) can be connected to record production documents.
- Data retention in case of power failure and automated restart.
- Operation in online, offline, and autonomous modes.
- Standard 10/100 Mbps Ethernet interface.
- IP 30 / IP 54 protection class (depending on type of reader).
- Three-point locking mechanism to ensure a tight sealing of the device.
- Ambient temperature 0°C to +55°C.
- Compatibility with the Bedas and Bedanet Terminal Series and thus protection of your investment.
- Manufactured according to DIN EN ISO 9001 : 2000 quality standard.

Optional:

- RS 485 host interface.
- Memory configuration I
1,000 master records and 4,000 booking records
- Memory configuration II
2,000 master records and 8,000 booking records or 3,500 master records and 3,000 booking records adjustable.
- External, uninterruptible power supply (UPS - for up to four hours operating time under typical conditions).
- Heater for outdoor installation temperature range - 25°C to + 55°C according to environmental class III.



Detailed dimensional drawings are available for downloading on our homepage.

Subject to technical changes without notice!
Order no. 04036783, Issue P/0906

Kaba GmbH
Albertstraße 3
78056 Villingen-Schwenningen
Germany
Phone +49 7720 603-0
Fax +49 7720 603-102

www.kaba.com

KABA®