



**KABA®**

## Bedanet 91 04 – Subterminal for Access Control

With its compact construction and sealed-in LEGIC reader, the Bedanet 91 04 is suitable even for difficult operating conditions, for example, installation outdoors without any further measures. This subterminal is ideal for mounting on door frames.

# Bedanet 91 04 – The Features

The Bedanet 91 04 subterminal reads all hands-free LEGIC media such as badges, keys, key tags, and watches. The terminal's control unit is installed in a separate, secured location. It checks and interprets all recorded data. If the user is authorized, the door or gate opens. If the user is not authorized, the terminal displays a red LED light and an acoustic signal.

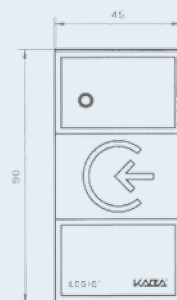
The Bedanet 91 04 subterminal stores a configurable list of customer numbers in memory. The subterminal can check up to five different segment numbers. This number check runs standalone in the Bedanet 91 04. The subterminal also has a relay to activate doors and gates, such as a gate at a company's parking lot or a door inside a building.

The terminal's connection to computer systems its integration with networks depends on the interfaces of the respective control unit.

## Technical Specifications

- Operating voltage  
12 - 27 V AC or 12 - 32 DC
- Power consumption  
24 V at 50 mA max.
- Relay contact load  
30 V AC/DC, max. 1 A
- RS-485 data interface
- Transmission rate 9600 or 19200 Baud
- Transmission code ASCII/ISO 7 bit
- Transmission protocol BPA/9
- Operating conditions
  - Environmental temperature
  - 25° C to 70° C
  - IP 66 protection class (with connecting cable)
  - IP 54 (with connecting panel)
  - Environmental class 4
  - NEMA 4
- Standard colors are anthracite or grey-aluminum
- Manufactured according to DIN EN ISO 9001 : 2000 quality standard

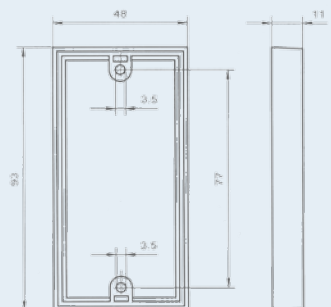
Bedanet 91 04



Connecting  
cable 3,5 m long



Adapter base



Detailed dimensional drawings are available for downloading on our homepage.

Subject to technical changes without notice! Order no. 04035337, Issue St/0906

**Kaba GmbH**  
Albertstraße 3  
78056 Villingen-Schwenningen  
Germany  
Phone +49 7720 603-0  
Fax +49 7720 603-102

[www.kaba.com](http://www.kaba.com)

**KABA®**